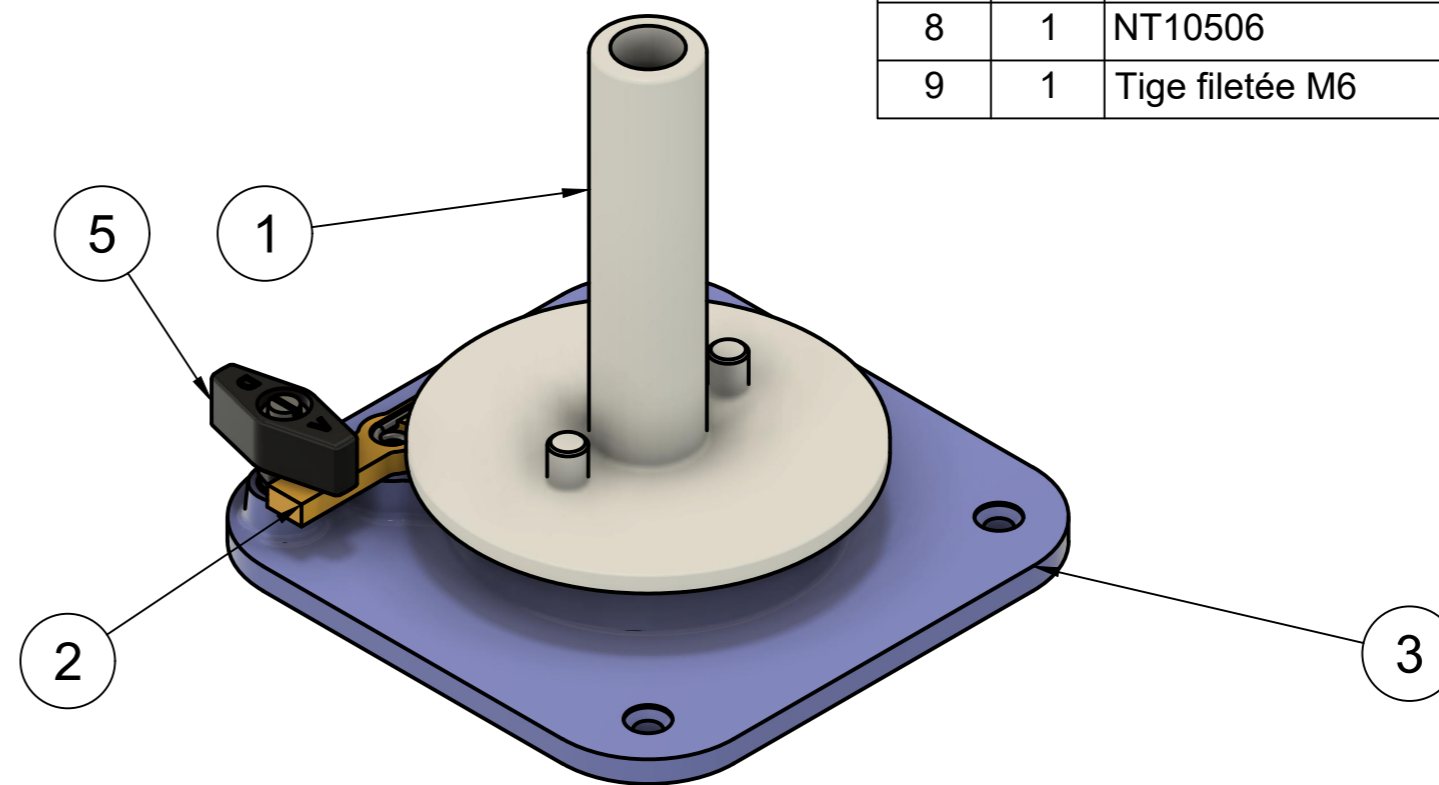
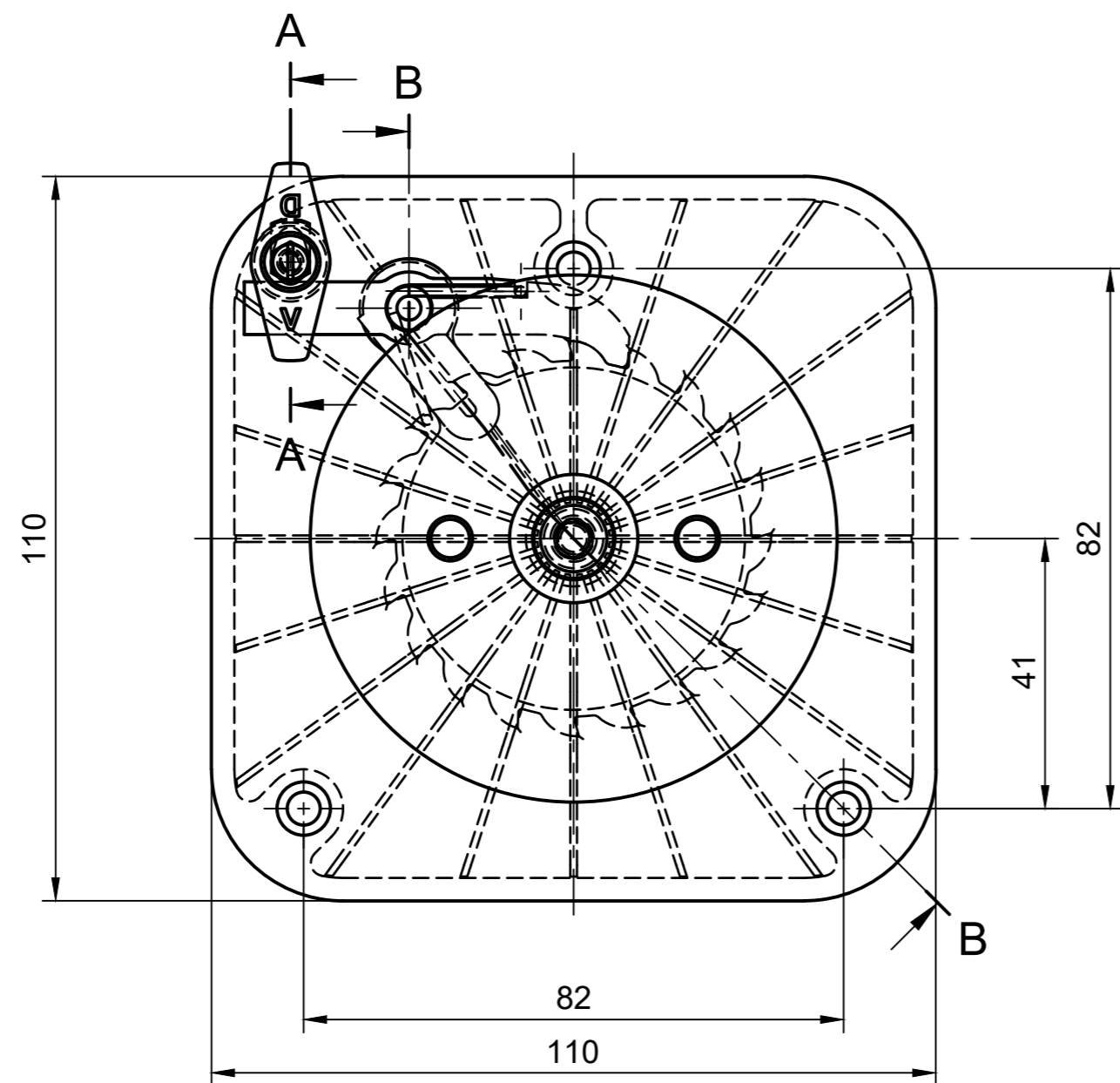
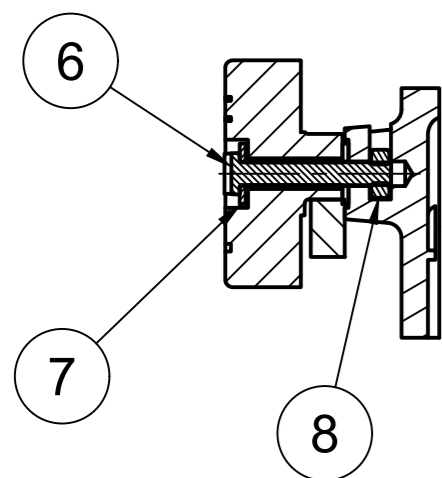


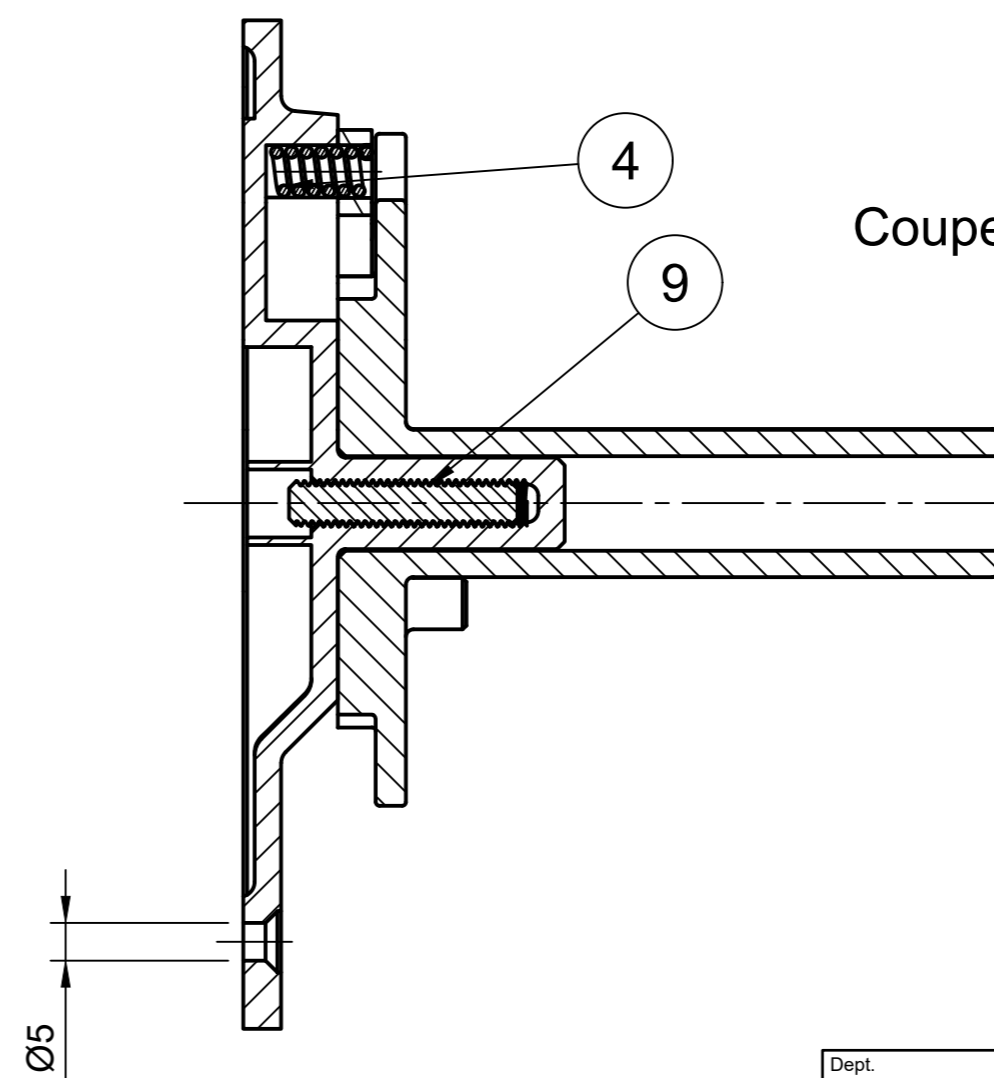
Parts List				
Item	Qty	Part Number	Description	Material
1	1	Entrainement bobine		Steel
2	1	Cliquet		Steel
3	1	Platine		Steel
4	1	Ressort		Steel
5	1	Came		Steel
6	1	NF E 25-127 C S - d M3 - I 20 - A2	Vis C S, M3-20, A2, NF E 25-127	Steel
7	2	NF E 25-514 M - d 3 - 160HV	Rondelle M3, 160HV, NF E 25-514	Steel
8	1	NT10506	Ecrou hexagonal	Steel
9	1	Tige filetée M6		Steel



Coupe partielle A-A (1:1)



Coupe B-B (1:1)



Dept.	Technical reference	Created by Jean-Pierre Dudemaine 01/04/2020	Approved by
		Document type	Document status
		Title Ens support de dévidoir à fil	DWG No.
Rev.	Date of issue	Sheet 1/1	